

USAGE PRECAUTIONS

Please read the warning and cautions carefully before using this appliance and comply strictly for your own safety and to prevent the damage that may occur on your property.

- The appliance is to be supplied through a residual current device(RCD) having a rated residual operating current not exceeding 30 mA.
- This appliance is considered to be suitable for use in countries having a warm damp equable climate. It may also be used in other countries.

WARNING

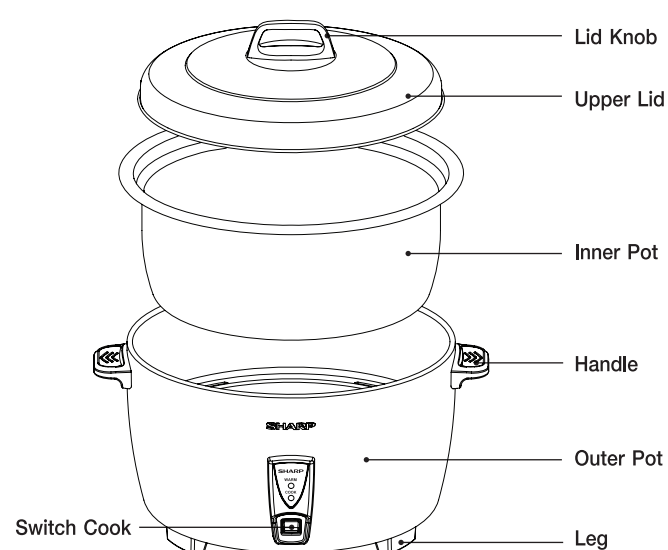
- Never push the switch cook when the inner pot with rice is not placed in, never insert any object into the switch. It may cause a trouble.
- Do not immerse the set in water or sprinkling water on the heater plate and connector.
- Do not use the cooker on a wet floor, under direct sunlight or near the gas stove.
- While cooking, do not put the rice cooker on or near combustible materials such as curtains or vinyl carpets.
- During or immediately after cooking, the areas near the steam vent hole are kept at high temperature. Do not touch those areas to avoid burns.
- Never connect the plug with your wet hand as it may be dangerous from electric leakage.
- Do not use any other inner pot except the provided one.
- Children being supervised not to play the rice cooker and keep out of the children's reach, especially when cooking rice.
- Never share the wall outlet with other appliances.
- Do not opening the upper lid when during boiling because touched hot steam.
- Do not disassemble or repair the cooker by yourself. It may cause trouble such as a fire of electric shock. Consult your nearest dealer.
- The appliance is not to be used by persons (including children) with reduced physical, sensory or mental capabilities, or lack of experience and knowledge, unless they have been given supervision or instruction.
- Do not touch the heating plate surface after use because of the residual heat.
- This appliance is intended to be used in household and similar applications such as
 - Staff kitchen areas in shops, offices and other working environments;
 - Farm houses;
 - By clients in hotels, motels and other residential type environments;
 - Bed and breakfast type environments.

CAUTIONS

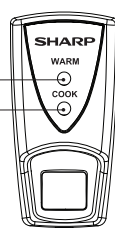
- Insert the plug into the wall outlet firmly and when disconnecting, hold the plug and pull it out without touching the power cord.
- Do not use the damaged inner pot. It may cause in malfunction.
- Do not use the inner pot with other heating appliances such as a gas stove. The inner pot may be transformed and it may cause poor cooking result.
- Do not leave the plastic spoon in the rice cooker while cooking or warming.
- In case the power cord is broken, it must be replaced with specialized power cord or the standard power cord made by manufacturer or appointed service providers. (Model : KSH-D40)
In case the power cord is broken, it must be replaced by manufacturer or appointed service providers or equivalent professionals to avoid any damages. (Model : KSH-D55, KSH-D77, KSH-D1010)

7

DESCRIPTION OF PARTS



"WARM" indicator lamp
"COOK" indicator lamp



SPECIFIC INFORMATION

MODEL	KSH-D40	KSH-D55	KSH-D77	KSH-D1010
Capacity (Max.)	3.8 ℓ or 21 cups	5.0 ℓ or 4.2 kg	7.0 ℓ or 5.5 kg	10.0 ℓ or 8.5 kg
Capacity (Min.)	0.9 ℓ or 5 cups	1.7 ℓ or 1.5 kg	2.53 ℓ or 2.0 kg	3.0 ℓ or 2.5 kg
Outside Dimension (W x H x D)(mm.)	393 x 319 x 336	467 x 322 x 411	511 x 356 x 451	587 x 364 x 529
Weight (kg)	4.5	6.5	9.2	12.5
Power Consumption (W)	1,350	1,550	2,000	2,750
Rated Voltage (V)	220			
Rated Frequency (Hz)	50			
Accessories	Measuring cup			

* Detail is subject to change without prior notice.

8

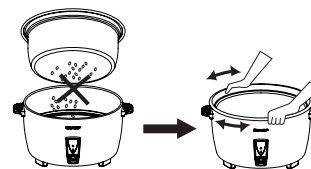
HOW TO USE

Be sure that the rated voltage is 220V only before use.

- Measure the volume of rice correctly.
Note: Model KSH-D40 the volume of the attached measuring cup is about 0.18 ℓ or 180 cc. Model KSH-D55, KSH-D77, KSH-D1010 the volume of the attached measuring cup is about 0.50 ℓ or 500 cc.
- Wash the rice in a separate bowl, put the rice into the inner pot and add water.
- Since the scale in the inner pot shows the standard water level, adjust the water volume according to your own choice.
Example (For 7.0ℓ)
• To cook 4 kg rice, pour water to level of 4 kg
- Place the inner pot on the heater plate correctly by turning it slightly from left and right.

Caution

Before putting in, wipe off the moisture, dirt or rice grains on the outside of the inner pot or surface the heater plate.



- Close the lid firmly and insert the plug into the wall outlet. Press down on the switch cook.
Note
 - When cooking is over, the "COOK" indicator lamp goes off and then the "WARM" indicator lamp lights on to start steaming. Keep on steaming without opening the upper lid for about 10-15 minutes for tastier and softer rice.
 - After cooking is over and need to continue cooking, please wait for in order to allow about 10 minutes thermostat resume to normal condition.
- Disconnect the plug from the wall outlet every time after use.

Suggestion for better cook

(Model KSH-D77, KSH-D1010)
After cook 20 minutes, stir the rice around the pot 1 time.



Warming method

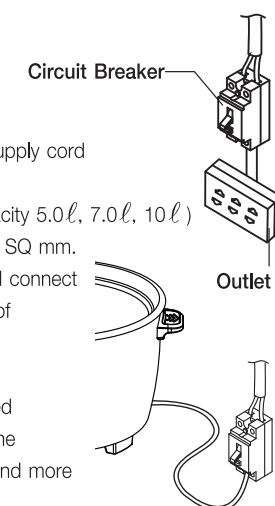
- After complete cooking, the "WARM" indicator lamp keeps lighting automatically. The period of warming is approximately 4-5 hours. Longer warming may cause the cooked rice harden.
- If the cooked rice is cold and needs warming, unfasten the rice and sprinkle some water on the rice, push switch cook and wait until "COOK" indicator lamp goes off, then the "WARM" indicator lamp lights on. Keep on warming rice about 10-15 minutes before serving.

MANUFACTURED BY FEDERAL ELECTRIC CORP., LTD.
64/1 Moo 4 Kingkaew Rd., Rajatheva, Bangplee, Samutprakarn 10540

9

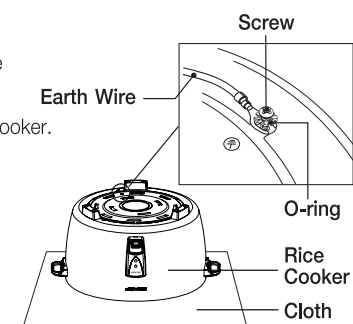
SPECIAL NOTES

- Use a wall outlet and power supply cord with the proper voltage and capacity.
The proper power supply cord to use :
Model KSH-D40 (capacity 3.8 ℓ) use power supply cord size not less than 0.75 SQ mm.
Model KSH-D55, KSH-D77, KSH-D1010 (capacity 5.0 ℓ, 7.0 ℓ, 10 ℓ) use power supply cord size not less than 1.50 SQ mm.
for safety reason, the electric wall outlet should connect with the circuit breaker to prevent the danger of overloading.
- Model KSH-D55, KSH-D77, KSH-D1010
If it use daily at the fix place, it is recommended to connect the power supply cord directly to the circuit breaker without using plug. It is safety and more convenient. See picture.



EARTH WIRE ASSEMBLY

- Disconnect power supply cord before assembly earth wire.
- Remove the inner pot from the rice cooker.
- Upside down the rice cooker.
- Remove screw for earth wire about 2-3 mm. (Symbol ⊕) and insert earth wire assembly and fasten screw for earth wire.



CLEANING AND MAINTENANCE

Always unplug and let the rice cooker cool down before cleaning.

HEATER PLATE ▶ Use the damp fine sandpaper to clean the dirty area and wipe out with sponge or damp cloth, then wipe again with the dry cloth to remove the humidity.

INNER POT/UPPER LID ▶ Soak inner pot and upper lid in lukewarm water and wash with sponge, washing detergent or liquid detergent and then wipe dry cloth.

OUTER POT ▶ Wash with sponge and wipe with cloth to dry it. Do not use any harsh cleanser or outer pot as it could crack the surface.

Sole Distributor in Thailand

THAI CITY ELECTRIC
THAI CITY ELECTRIC CO., LTD.
1643/4 New Petchburi Rd., Makkasani, Ratchathewi, Bangkok 10400
Tel. 0 2333 3111 Call Center 0 2254 5000
E-mail : callcenter@thaicity.co.th

คิดบวก ทำบวก
เพื่อเด็ก ๆ และสังคมไทย
WWW.THAICITY4SOCIAL.COM

www.thaicity.co.th
www.sharp-weedub.com
www.facebook.com/sharpweedub

10

SHARP OPERATION MANUAL



COMMERCIAL ELECTRIC RICE COOKER

MODEL KSH-D40
KSH-D55
KSH-D77
KSH-D1010

CONTENTS	PAGE
USAGE PRECAUTIONS	7
DESCRIPTION OF PARTS	8
SPECIFIC INFORMATION	8
HOW TO USE	9
SPECIAL NOTES	10
EARTH WIRE ASSEMBLY	10
CLEANING AND MAINTENANCE	10

Please see the date of manufacture marked on the product
Thank you for your trust in products of Thai City Electric Co., Ltd.
In order to use commercial electric rice cooker in efficiency way.
Please read the instructions manual carefully before using this appliance.

REV.1-2560