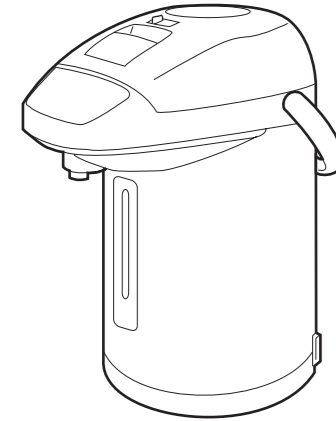


SHARP OPERATION MANUAL



ELECTRIC JAR POT TELSTAR MODEL KP-Y33 TELSTAR (REBOIL 100°C) MODEL KP-Y33BT

CONTENTS	PAGE
USAGE PRECAUTIONS	10-11
DESCRIPTION OF PARTS	12
SPECIFIC INFORMATION	13
HOW TO USE	13-14
AFTER USING	14
REMOVING THE LID	14-15
CLEANING AND MAINTENANCE	15
EARTH WIRE ASSEMBLY	15-16
EXCHANGE PACKING	16
THE SPECIAL FEATURE	16

Please see the date of manufacture marked on the product. Thank you for your trust in products of Thai City Electric Co., Ltd. In order to use electric jar pot in efficiency way. Please read the instructions manual carefully before using this appliance.

USAGE PRECAUTIONS

Please read the warning and cautions carefully before using this appliance and comply strictly for your own safety and to prevent the damage that may occur on your property.

WARNING

- Before connect the magnetic plug to body examine if anything stuck with it, remove before plugging.
- Insert the plug into the wall outlet firmly and when disconnecting, hold the plug and pull it out without touching the power cord.
- Do not immerse the set in water, it may cause electric leakage or damage of the electric jar pot.
- Do not put ice cubes or pour milk, mineral water, tea liquor or other liquid into the inner pot other than water for use. The pipe of the electric jar pot may be clogged.
- Keep out of reach of infants and children as they get scald when the electric jar pot is tipped over and hot water spills out, or when the child suck at the spout.
- Do not put the electric jar pot on the edge of table as it may fall down and cause damage.

CAUTIONS

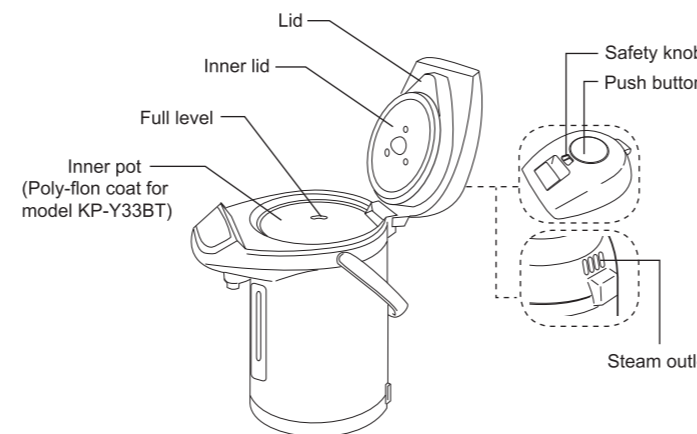
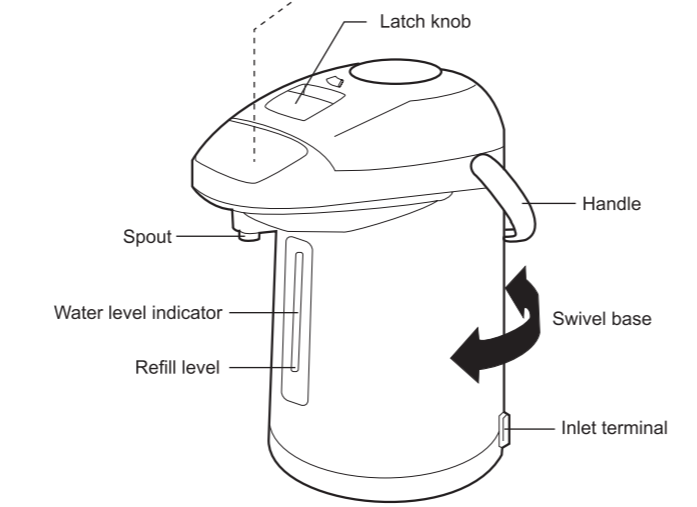
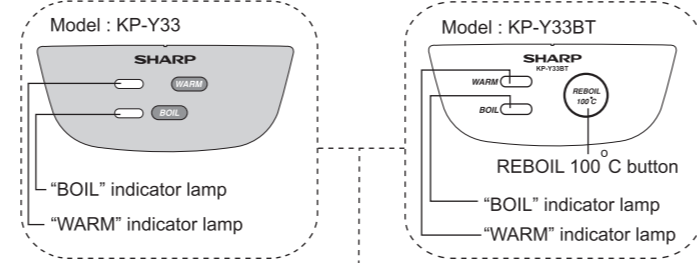
- Do not fill water above the "Full" level, the water may spill out from the spout when boiled.
- Do not boil water below the "Refill" level, it may lead to damage. Add some more water to "Full" level.
- Close lid firmly, otherwise hot water outflow so much when tumbling.

- The appliance is to be supplied through a residual current device (RCD) having a rated residual operating current not exceeding 30 mA.
- This appliance is considered to be suitable for use in countries having a warm damp equable climate. It may also be used in other countries.

- Do not put the electric jar pot on a wet floor, under direct sunlight or near the gas stove.
- Do not cover the steam outlet with a towel etc. Otherwise the hot water may spill over or the share of the lid may change.
- Do not pour hot water while boiling because splashing hot water may cause burn.
- Do not touch the steam outlet with your hand may cause burn.
- In case the power cord is broken, it must be replaced with specialized power cord or the standard power cord made by manufacturer or appointed service providers.
- Do not disassemble or repair the electric jar pot by yourself. It may cause trouble such as a fire or electric shock. Consult your nearest dealer.
- Never connect the plug with your wet hand as it may be dangerous from electric leakage.
- This appliance is intended to be used in household and similar applications such as
 - Staff kitchen areas in shops, offices and other working environments;
 - Farm houses;
 - By clients in hotels, motels and other residential type environments;
 - Bed and breakfast type environments.

- Do not opening the lid when during boiling because touched hot steam.
- Often examine the power supply cord, the defective power supply cord or plug may cause burning fire or electric shock.
- Move the electric jar pot by handle only.

DESCRIPTION OF PARTS



SPECIFIC INFORMATION

Model	KP-Y33	KP-Y33BT
Capacity (Max.) (ℓ)		3.3
Rated voltage (V)		220
Rated frequency (Hz)		50
Power consumption (W)		700
Electric current (A)		3.18
Pouring system	Manual air pressure operation	
Outside dimension (W x H x D) (mm.)	218 x 355 x 290	
Weight (kg.)	2.1	
IP number	IPX0	

*Detail is subject to change without prior notice.

HOW TO USE

Be sure that the rated voltage is 220V only before use. For the first use, boil water and pour out by pushing down the push button many times to let hot water out through spout. Then pour out the remaining water, carefully clean inner pot and lid.

Fill the inner pot with water

- Set the safety knob at "STOP" position.
- Pushing the latch knob to open the lid.
- Pour water within the range of "Full" level and do not splash water to the body.
- Push down the lid until a "click" sound is heard.

Boiling water and keeping warm

- Connect the magnetic plug to body. (Be sure that it is firmly connector)
- Insert the other end of plug into the wall outlet.
- When the plug is inserted into the wall outlet, the "BOIL" indicator lamp lights up, then the electric jar pot starts boiling.

- When boiling is over the "BOIL" indicator lamp goes off and change to "WARM". Model : KP-Y33 the average temperature of hot water is 90°C then gradually goes down to 85°C ("BOIL" indicator lamp lights up). Model : KP-Y33BT the average temperature of hot water is 100°C then gradually goes down to 85°C - 95°C ("BOIL" indicator lamp lights up all time).

Note

- Color of inner pot may be changed depending on water quality. Use clean water.
 - Sounds are emitted during the boiling and warming. But this is quite normal.
- If the hot water 100°C is required, press the "Reboil 100°C" button to reboil. (Only Model : KP-Y33BT)

Note

- Do not press "Reboil 100°C" button to boil water below "Refill" level.

Pour hot water

- Set the safety knob button at "POUR" position and push down the push button to pour hot water.
- After pouring hot water, set the safety knob at "STOP" position.

AFTER USING

- Disconnect the plug from the wall outlet.
- Rinse the inner pot with water, if the water is left in the inner pot, it may collect water deposit and cause corrosion.

REMOVING THE LID

- Push the latch knob found in the front part of the lid, then open the lid.
- Shift the lid forward, and lift it up, then it can be detached.

CLEANING AND MAINTENANCE

When not using the pot for a long period

Rinse the inner pot with water, drain off by placing the body upside down wipe off moisture in the inner pot well. If the water is left in the inner pot, it may collect water deposit and cause corrosion.

How to cleaning

Before cleaning, be sure to disconnect the plug, pour out the remaining water and cool down the body. Do not use polishing powder, hard brush, thinner, alcohol or other solvent, otherwise the surface may be damaged or discolored.

- Body, lid and handle** soak a soft cloth in water, squeeze properly and wipe carefully.
- Inner pot** should be cleaned every week by soaking a sponge with water. Then rub the inside of the inner pot carefully. Rinse and drain sufficiently with water.

Note

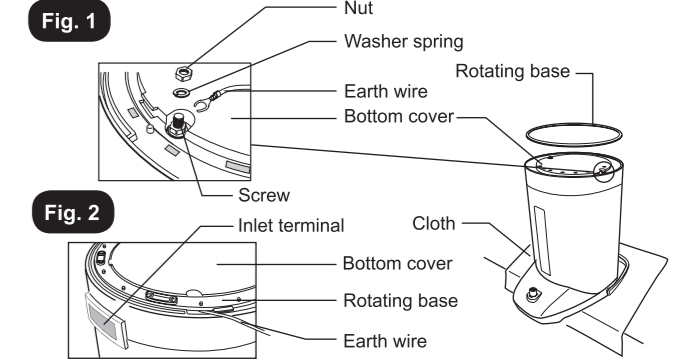
Do not use sharp thing or hard bush to rub inside of the inner pot as the poly-flon coated surface may be damage.

When the inner pot was discolored due to different water quality

- Mix vinegar with (1:1), pour the mixer water up to the "Full" level of the inner pot and let it boils.
- After boiling, let it stand for one hour, then pour out the vinegar.
- Soak a sponge with water and rub the inside of the inner pot carefully. The rinse thoroughly with water until vinegar smell goes out.
- After cleaning, fill water up to "Full" level and let it boils, then pour out the water as usual before regular use.

EARTH WIRE ASSEMBLY

- Remove magnetic plug before assembly earth wire.
- Remove the lid assembly. (See "REMOVING THE LID")
- Upside down the electric jar pot.
- Disconnect rotating base.
- Remove the nut for earth wire about 2-3 mm. (Symbol ⊥) and insert earth wire ass'y and fasten nut for earth wire. (Fig. 1)
- Assembly rotating base and assembly earth wire to ground. (Fig. 2)



EXCHANGE PACKING

- Loosen 3 screws holding the inner lid.
- Pull the inner lid packing off from the inner lid.
- Renew the inner lid packing, be sure of the proper side that fits the inner lid.
- Assembled in the same manner that you removed.

Note

Inner lid packing has a life-time of use. When it is over, pouring water out may be impossible. Inner lid packing exchange is a service.

THE SPECIAL FEATURE

- This is a combination of water bottle and warmer, with clean and sanitary stainless steel construction. The water volume can be checked at a glance on the easy-to-read water level indicator.
- Re-boiling to 100°C is possible by press "Reboil 100°C" button. (Only model KP-Y33BT)
- Model: KP-Y33BT the inner pot coat by poly-flon for easy-to-clean. The poly-flon coat is heat proof and harmless to health.

Sole Distributor in Thailand

THAI CITY ELECTRIC
THAI CITY ELECTRIC CO., LTD.
1643/4 New Petchburi Rd., Makkasan, Ratchathewi, Bangkok 10400
Tel. 0 2333 3111 Call Center 0 2254 5000
E-mail : callcenter@thaicity.co.th

คิดบวก ทำบวก
เพื่อเด็กฯ และสังคมไทย
WWW.THAI CITY SOCIAL CO.

www.thaicity.co.th
www.sharp-weclub.com
www.facebook.com/sharpweclub